

Crane accessories

Crane components are indispensable for ensuring the normal operation of cranes. Our company specializes in manufacturing and supplying a wide range of crane accessories, including: wheel assemblies, drum assemblies, hook blocks, pulley blocks, couplings, motors, reducers, brakes, and safety conductor rails. These products are extensively utilized in lifting machinery across industries such as manufacturing, logistics and warehousing, mining, metallurgy, shipbuilding, and bulk material handling.

Equipped with comprehensive production and testing facilities, we rigorously ensure the integrity of all technical processes, including machining, inspection, and heat treatment, to deliver reliable quality and performance.

Advanced Craftsmanship/Precision Machining/Reliable Safety

CRANE WHEEL SET



① Angle bearing box crane wheels



② FEM standard crane wheels

Wheel diameter:

① Angle bearing box crane wheels

Wheel diameter (mm) : $\phi 250$, $\phi 315$, $\phi 350$, $\phi 400$, $\phi 500$, $\phi 600$, $\phi 700$, $\phi 800$

② FEM standard crane wheels

Wheel diameter (mm) : $\phi 160$, $\phi 200$, $\phi 250$, $\phi 315$, $\phi 400$, $\phi 500$, $\phi 630$

Features:

Wheel Material: ZG340-640, 45 steel, 50SiMn, 65Mn, 42CrMo;

Wheel connection type: spline shaft, cylindrical shaft;

Wheel type: Double-flange, Single-flange, No flange;

Wheel groove width: Determine based on track model;

Product customization: We can manufacture according to the drawings and dimensions you provide.

CRANE DRUM SET



① Regular crane drums



② FEM standard crane drums

Wheel diameter:

① Regular crane drums

Drum diameter and length: $\phi 300 \times 1000$, $\phi 400 \times 1000$, $\phi 400 \times 1500$, $\phi 500 \times 1500$, $\phi 650 \times 2000$, $\phi 800 \times 2000$, $\phi 1000 \times 3500$;

Drum Connection: Drum coupling, C-type gear plate;

② FEM standard crane drums

Drum diameter and length: $\phi 285 \times 1130$, $\phi 360 \times 1360$, $\phi 360 \times 2230$, $\phi 435 \times 2160$, $\phi 435 \times 3070$, $\phi 600 \times 2970$;

Drum Connection: Cylindrical shaft

Features:

Drum Material: HT200, Q235B, Q355B, Q355E;

Lifting capacity (t): 5, 10, 16, 20, 32, 50, 75, 100, 125;

Drum groove size: Determined by the wire rope diameter;

Product customization: We can manufacture according to the drawings and dimensions you provide.

CRANE HOOK SET



① Regular crane hooks



② FEM standard crane hooks

Wheel diameter:

① Regular crane hooks

Lifting capacity: 3.2t, 5t, 10t, 16t, 20t, 32t, 50t, 75t, 100t, 125t, 160t, 200t, 250t, 320t, 400t, 500t;

Hook Material: DG20, DG20Mn, 35CrMo;

Pulley enclosed type: Fully enclosed, Semi-enclosed;

Hook Type: Single hook, Double hook, Laminated hook

② FEM standard crane hooks

Lifting capacity: 5t, 10t, 16t, 20t, 32t, 50t, 75t, 100t, 125t, 160t;

Hook Material: 35CrMo, 34Cr2Ni2Mo;

Pulley enclosed type: Fully enclosed, Semi-enclosed;

Hook Type: Single hook, Double hook

CRANE PULLEY



Performance parameter

Pulley diameter: $\Phi 250$ 、 $\Phi 400$ 、 $\Phi 500$ 、 $\Phi 610$ 、 $\Phi 710$ 、 $\Phi 800$ 、 $\Phi 900$ 、 $\Phi 1000$ 、 $\Phi 1200$;

Pulley Material: HT200-400, ZG35, Q235B, Q355B;

Production process: Cast iron, Cast steel, Rolled steel plate;

Pulley Groove Dimensions: Determined according to the diameter of the wire rope

YZR WOUND ROTOR MOTOR



Performance parameter

Type	YZR112M-6~YZR280M-6	YZR160L-8~YZR315M-8	YZR280S-10~YZR400L2-10
Rated power(KW)	1.5-75	7.5-90	37-200
Rated current(A)	2.7-51.9	11.9-64.6	49-218
Rated rotation speed(r/min)	865-975	705-732	578-589

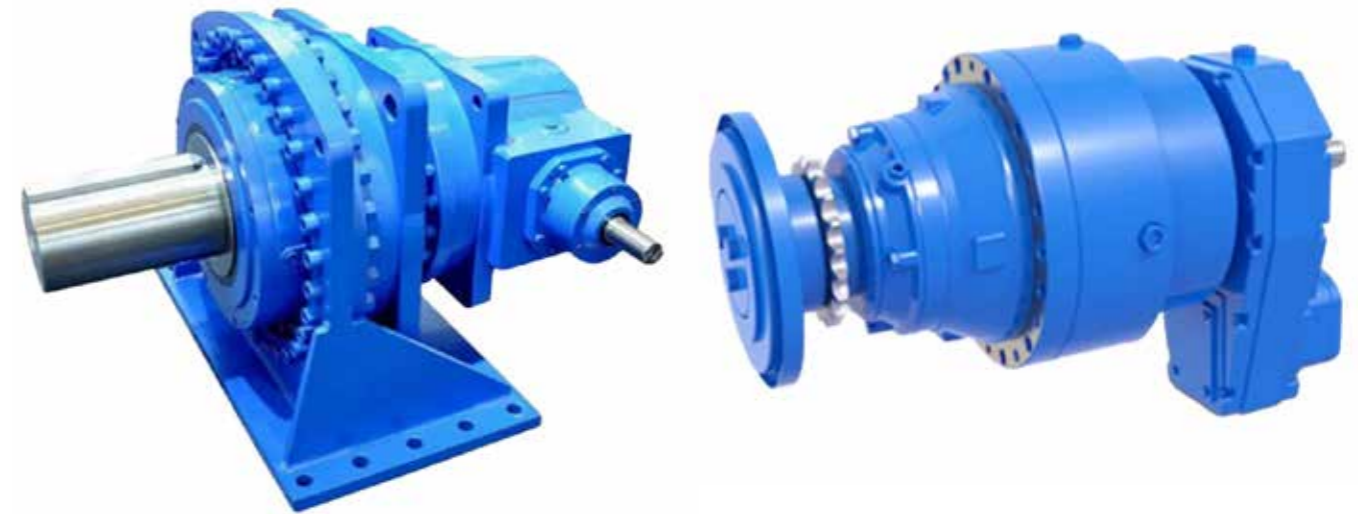
YZP FREQUENCY CONVERSION SPEED REGULATION MOTOR



Performance parameter

Type	YZP112M-4~YZP450L3-4	YZP112M-6~YZP450L3-6	YZP160L-8~YZP450L3-8	YZP315S-10~YZP450L3-10
Rated power(KW)	4-630	2.2-500	7.5-450	55-400
Rated current(A)	9.5-1126	6-920	19-830	124-780
Rated rotation speed(r/min)	1415-1492	930-995	730-746	585-597

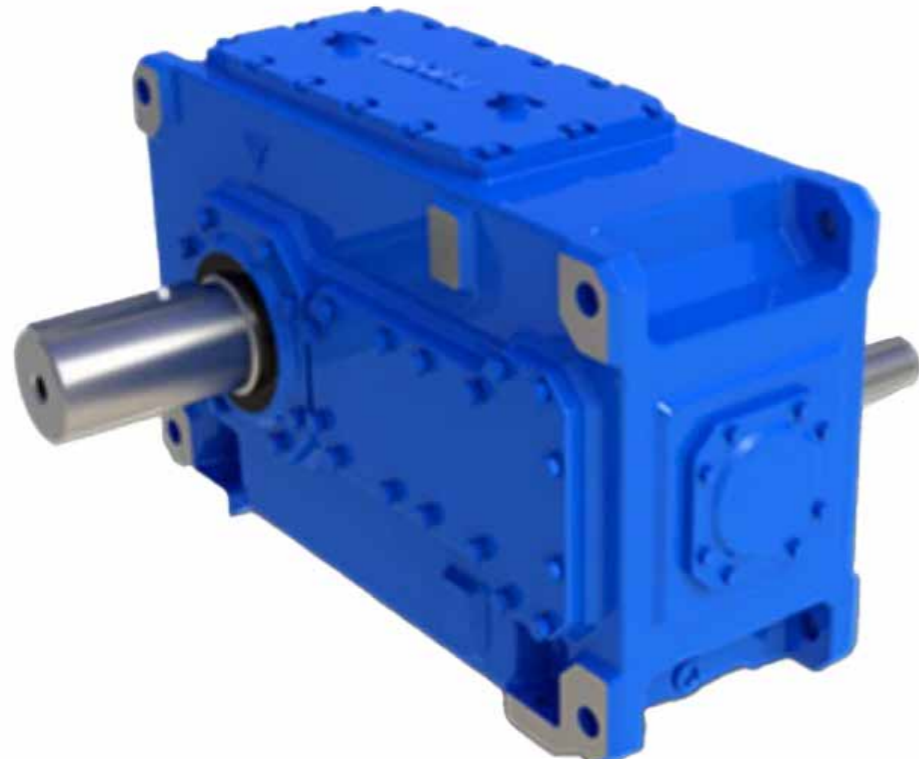
PLANETARY GEAR REDUCER



Performance parameter

Gear unit size	P9-P34
Ratio	25-4000
Nominal torque(KN.M)	22-1920
Input speed(r/min)	750-1500
Output speed(r/min)	0.19-60
Input power(KW)	0.4-9551

H SERIES REDUCER



Performance parameter

Gear unit size	H3-H26
Ratio	1.25-450
Nominal output torque(KN.M)	2.6-900
Input speed(r/min)	750-1500
Rated power(KW)	4.3-4525

K SERIES THREE-IN-ONE REDUCER



Performance parameter

Gear unit size	K19-K187
Ratio	2.81-19144
Output torque(N.M)	155-65800
Output speed(r/min)	0.04-498
Motor Power(KW)	0.12-200
Mounting position	M1-M6
Positions of motor terminal box	0°, 90°, 180°, 270°

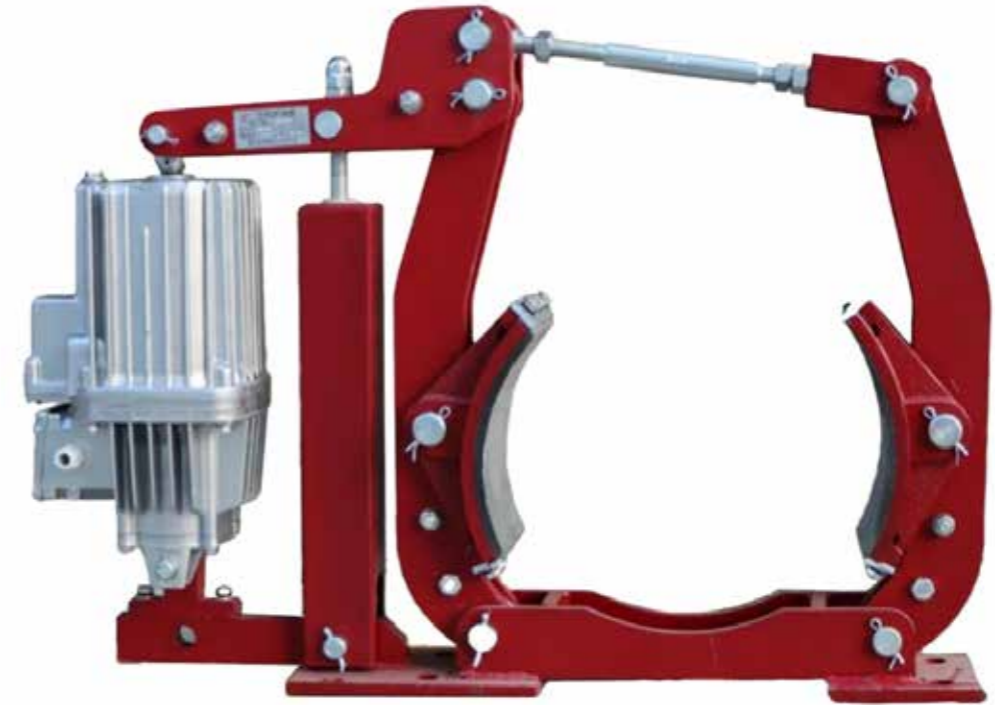
F SERIES THREE-IN-ONE REDUCER



Performance parameter

Gear unit size	F27-F157
Ratio	3.77-31434
Output torque(N.M)	110-20000
Output speed(r/min)	0.05-362
Motor Power(KW)	0.12-200
Mounting position	M1-M6
Positions of motor terminal box	0°, 90°, 180°, 270°

ELECTRO HYDRAULIC DRUM BRAKE



Performance parameter

Product Model: YW160-220, YW200-220(300), YW250-220(300, 500), YW315-300(500, 800), YW400-300(800, 1250), YW500-800(1250, 2000), YW630-1250(2000, 3000), YW710-2000(3000), YW800-3000;

Brake Wheel Diameter (mm): 160, 200, 250, 315, 400, 500, 630, 710, 800;

Braking Torque (N.m): 80~10000

ELECTRO HYDRAULIC DISC BRAKE



YP1 Series Disc Brake:

Thruster type: Ed220-50、Ed300-50、Ed500-60、Ed800-60;

Brake disc diameter (mm): 315、355、400、450、500;

Maximum braking torque (N.m): 280~1750;

YP2 Series Disc Brake:

Thruster type: Ed500-60、Ed800-60、Ed1250-60、Ed2000-60、Ed3000-60;

Brake disc diameter (mm): 450、500、560、630、710;

Maximum braking torque (N.m): 1000~8400;

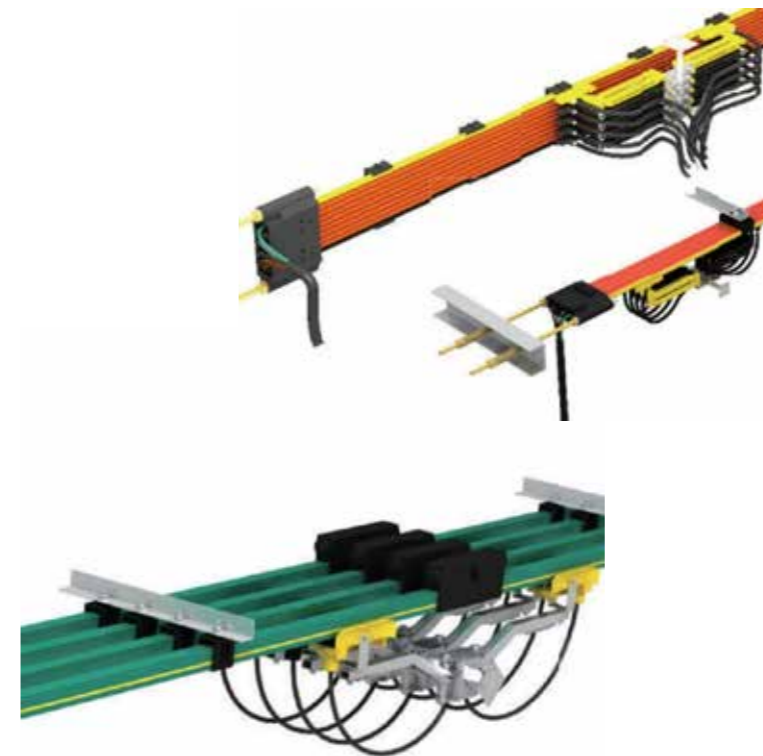
YP3 Series Disc Brake:

Thruster type: Ed1250-80、Ed2000-80、Ed1250-60、Ed3000-80;

Brake disc diameter (mm): 630、710、800、900、1000、1250;

Maximum braking torque (N.m): 3750~20000;

SAFETY BUSBAR



② Single-pole combined busbar

① Seamless busbar



③ Multi-stage conduit type busbar

Performance parameter

① Seamless busbar

Busbar poles: 2,3,4,5,6;

Rated current carrying capacity: 50A,80A,100A,120A,140A;

Conductor material: copper;

② Single-pole combined busbar

Rated current carrying

capacity: 250A,320A,500A,630A,800A,1000A,1250A,1600A,2000A,2500A,3000A;

Conductor material: copper, aluminum;

③ Multi-stage conduit type busbar

Busbar poles: 3,4,5,6,7,8,9,10;

Rated current carrying capacity: 35A,50A,65A,80A,100A,120A,140A,170A,210A,240A;

Conductor material: copper

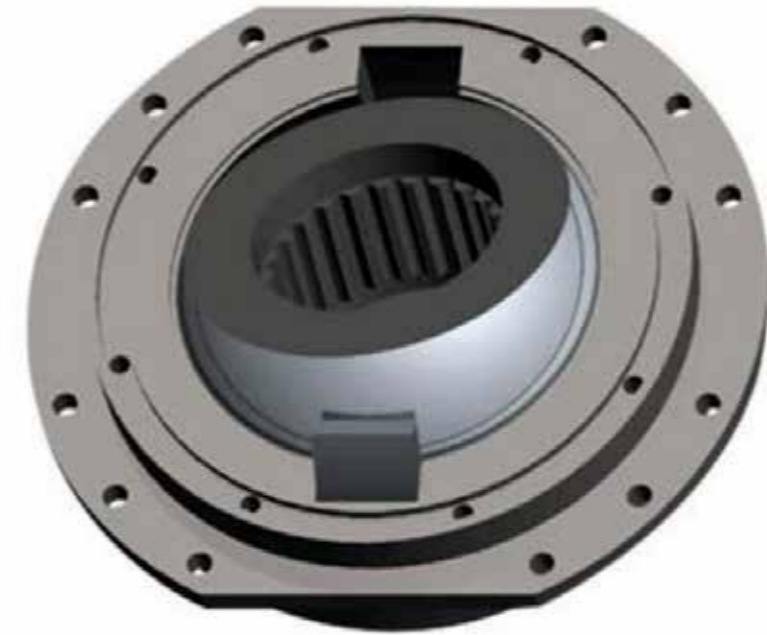
CONTAINER SPREADER



Performance parameter

Spreader classification	Electric single box fixed length spreader Electric single box telescopic spreader Electric single box rotating spreader
Suitable container models	20 ft, 40 ft
Telescopic spreader	Telescopic between 20 feet and 40 feet
Rotating spreader	Perform 360-degree full rotation action

DRUM COUPLING



Performance parameter

Product model	WZL01-WZL18
Nominal torque(KN.M)	6.3 to 1490
Work class	M3,M4,M5,M6,M7,M8
Spline dimensions	15z×3m to 56z×10m

BRAKE WHEEL COUPLING

UNIVERSAL SHAFT COUPLING



Performance parameter

Product model	CLZ2~CLZ6
Nominal torque(KN.M)	1.4 to 19
Allowable rotation speed(r/min)	3000 to 1270
Brake Wheel Diameter	Ø160, Ø200, Ø250, Ø300, Ø315, Ø400, Ø500, Ø600
Coupling Material	ZG340-640, 45 steel
Coupling Type	Brake wheel with half-tooth coupling

Performance parameter

Nominal torque(KN.M)	1.1 to 1160
Flange diameter(mm)	110 to 620
Shaft deflection angle	≤15°
Coupling length(mm)	405 to 2800

DRUM GEAR COUPLING



Performance parameter

Product model	GICL1~ GICL25
Nominal torque(KN.M)	0.63 to 1120
Allowable rotational speed (r/min)	4000~610
Coupling Material	ZG340-640, 45 steel

CRANE RAIL CLAMPS



Performance parameter

Rail model:24kg/m, 38kg/m, 43kg/m, 50kg/m , 60kg/m , QU70, QU80, QU100, QU120;

Rail clamp Material: Cast Steel, Q235, Q355;

Installation method:welding type, bolt fixed type;

The selection of Crane rail clamps requires the following data:

1. Crane lifting capacity;
2. Maximum wheel pressure of the crane;
3. Crane working level
4. Crane rail model;
5. Rail mounting beam type and upper flange width

CRANE GRAB



Performance parameter

Grab classification	Four rope grab, Two rope grab, Single rope grab, Electric grab, Electric hydraulic grab
Grab volume(m3)	0.3 to 55
Grab type	double-flap, multi-flap
Grab material name	Coke, limestone, cement, clay, iron ore, gravel, etc.
Tonnage of crane used(t)	3 to 63

CRANE LIMIT SWITCH



① DXZ series travel switch



② LX Series Travel Switch

Performance parameter

① DXZ series travel switch

Control loop number:1, 2, 3, 4;

Transmission ratio: 1:13, 1:17, 1:46, 1:60, 1:78, 1:210, 1:274, 1:960;

Rated voltage:220-400V;

Rated current:10A

② LX Series Travel Switch

Product Model:LX33-11/12,LX33-21/22;

Rated voltage:AC380V,DC220V;

Rated current:10A

CRANE CONTROL CABINET



Control cabinet type

Frequency conversion control cabinets,
 PLC control cabinets,
 Low-voltage control cabinets;
 High-voltage control cabinets;

Features:

1. High protection level: The heat dissipation system and dustproof device are reasonably designed.
2. Reasonable layout: The layout design is compact, small in occupancy, scientific and reasonable, beautiful and generous.
3. Anti-interference: The wiring is horizontal and vertical, neat and beautiful, the primary and secondary circuits are separated, and anti-interference.
4. Ensure safety: The heat shrink tube is distinguished by yellow, green and red to ensure safety.

CRANE JOYSTICK



Performance parameter

Control circuit voltage	DC 12V/24V, AC 220V
Control loop number	1~6
Mechanical lifetime	5 million times
Output signal	switch value, digital value, analog value

Features:

1. Safe and reliable performance.
2. Fast response speed and high resolution.
3. Long service life.
4. Convenient and quick adjustment, clear operation positions.
5. Easy daily maintenance.